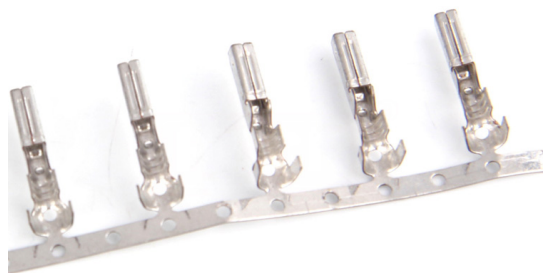




## Wiring harness special terminal 282403-1

### Wiring harness special terminal 282403-1

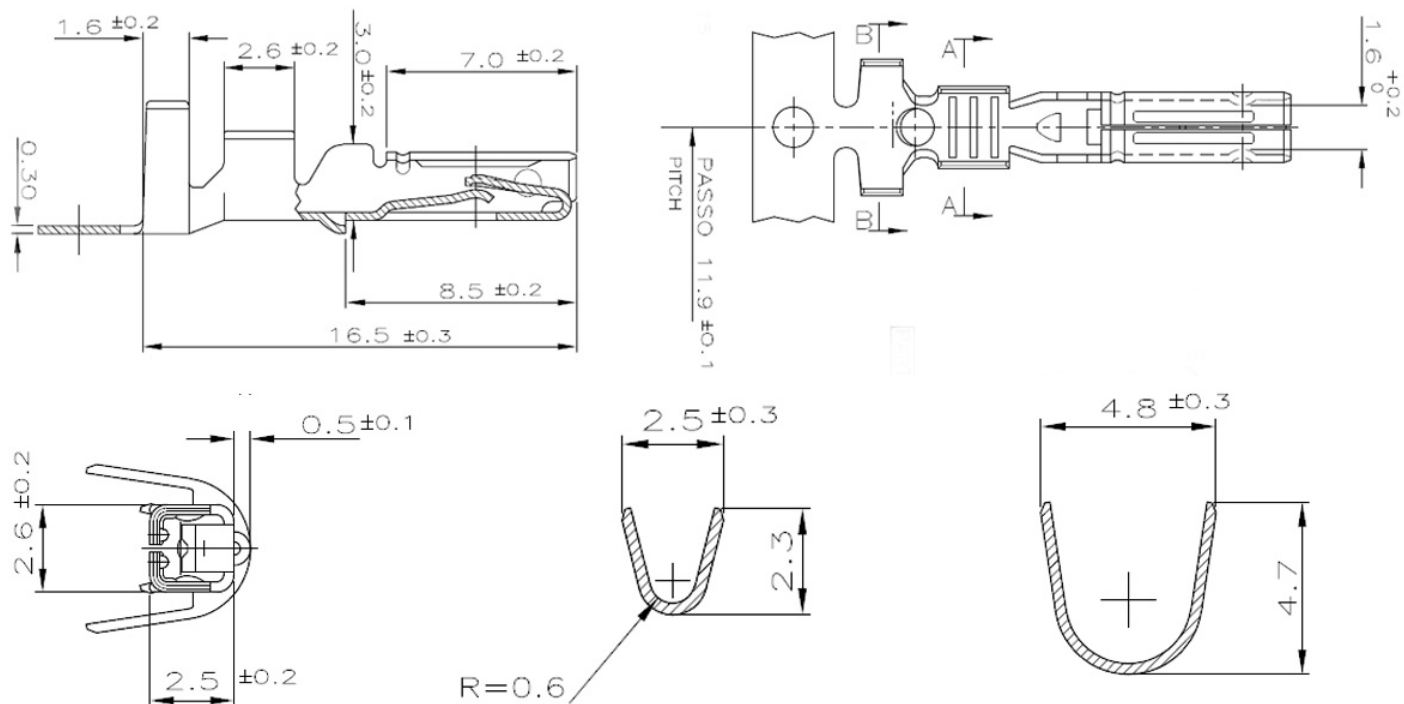


- Material: copper tin
- Sealing type: single wire seal
- Crimp type: F type crimping
- Socket Type: 180 °
- Typical rated current: 6A
- Docking male end width: 1.5 mm
- Butt joint thickness: 0.8 mm
- Wire Insulation Diameter: 1.2 - 1.6 mm
- Temperature range: -40 - 125 ° C
- Terminal conduction: 0 - 24 A (low power)
- Packing: 4000PCS / roll
- Uses: Terminals for cars, trucks, buses and off-highway vehicles



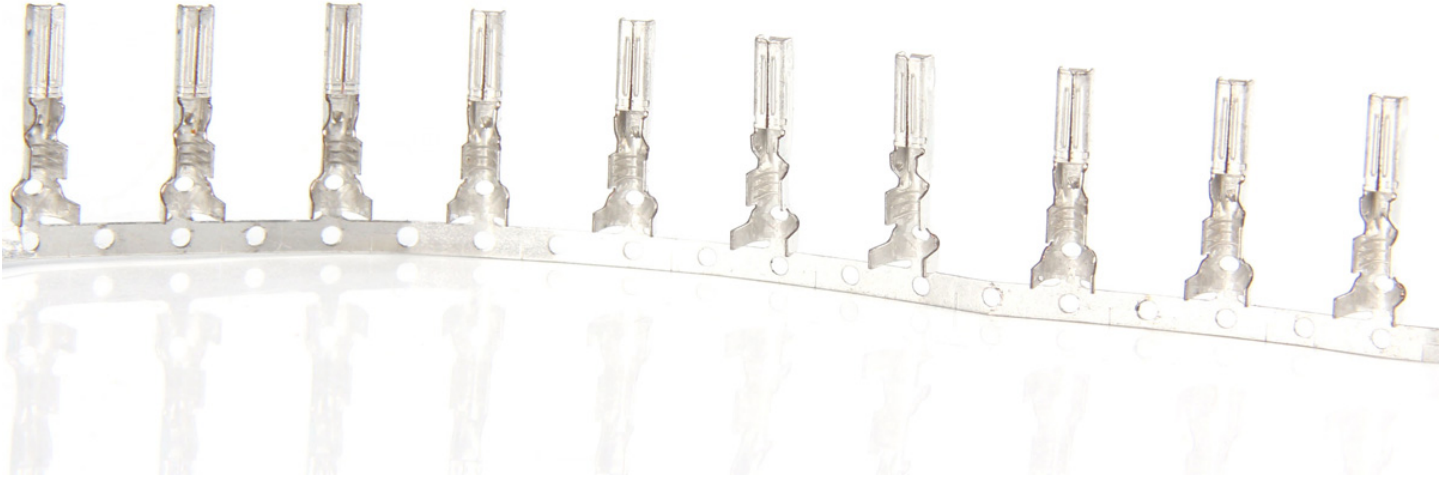
Winding Terminals    Harness Terminals    Terminal Blocks    Crimp Terminals - RCCN Shanghai Richeng Co. Ltd.

## Specification



## Product Show

**RCCN**<sup>®</sup>



**RCCN**<sup>®</sup>

