



## Richeng AC exchange fan

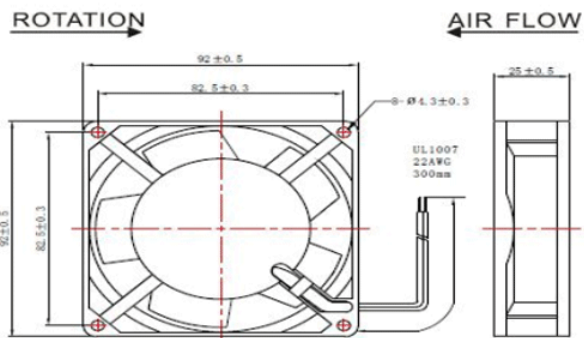
### AC exchange fan

- Motor: cover motor structure
- Frame: black paint aluminum alloy die-casting anti-corrosion, moisture-proof structure
- Blade: injection molding, PBT + 30% glass + V0 grade flame retardant
- Bearing: high precision, long life imported ball bearings; low noise imported oil bearing
- Insulation: enameled wire with B-class insulation, temperature 120 °C
- Insulation resistance: 500 megohm above
- Withstanding voltage: leakage current 0.5A. Withstand voltage 1500V / 1 minute
- Operating temperature: -10 °C ~ 70 °C
- Storage temperature: -40 °C ~ 70 °C
- Operating voltage: 115V (voltage range: 85V ~ 125V)  
220V (voltage range: 185V ~ 245V)
- Working life: ball bearing (60000 hours) Ambient temperature: 25 °C

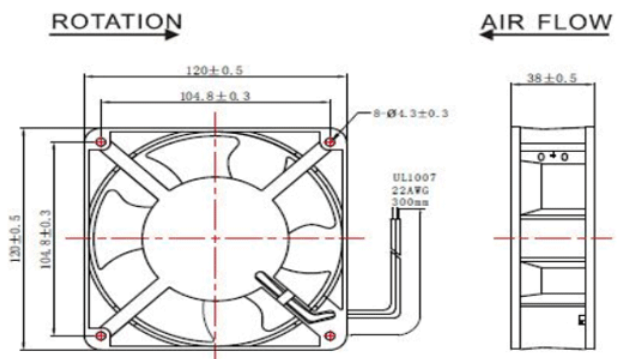
AC fan fan AC fan principle

## Specification

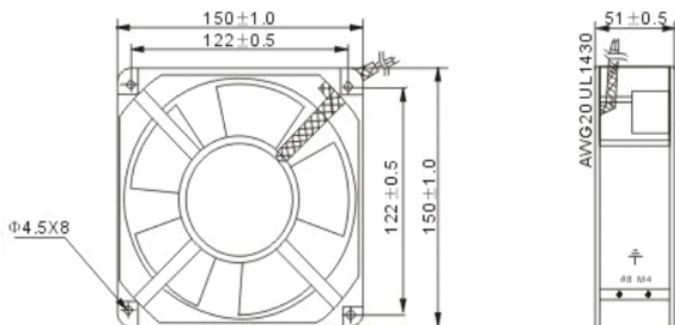
### AC9225



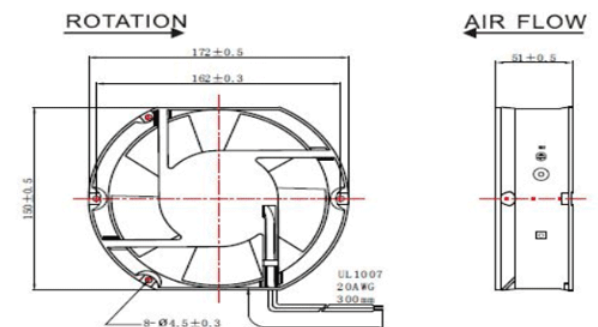
### AC12038



### AC15050



### AC17251



Voltage	Frequency	Current	Power	Speed	Air Flow	StaticPressure	Noise	Weinght
---------	-----------	---------	-------	-------	----------	----------------	-------	---------

Model No.	(VAC)	(Hz)	(AMP)	(WATTS)	(R/min)	(m3/min)	(CFM)	(mm-H2O)	(dBA)	(Kg)
AC9225	220/240V	50/60	0.07/0.06	13/11W	2250/2700	0.85/1.05	30/37	3.30/4.83	33/38	0.27
AC12038	220/240V	50/60	0.14/0.12	23/21W	2700/3100	2.68/3.25	45/49	8.38/9.65	45/49	0.55
AC15050	220/240V	50/60	0.22/0.21	38/35W	2700/3100	5.37/6.88	180/200	17.10/18.88	57/62	0.95
AC17251	220/240V	50/60	0.22/0.21	38/35W	2700/3100	5.37/6.88	180/200	17.10/18.88	57/62	0.95

**Product Show**



